

FEATURES

- Frequency: 840~930MHz (customized according to customer requirement), FHSS
- Protocol: EPC C1 GEN2/ISO 18000-6C
- Low working voltage:+3.3~6.5V
- Modular: SMD(25×20×2.5±0.1mm)
- RF output:5~20dBm,Step 3dB
- Support standby mode
- Interface: UART
- API on Windows & Windows Mobile
- Firmware update via UART

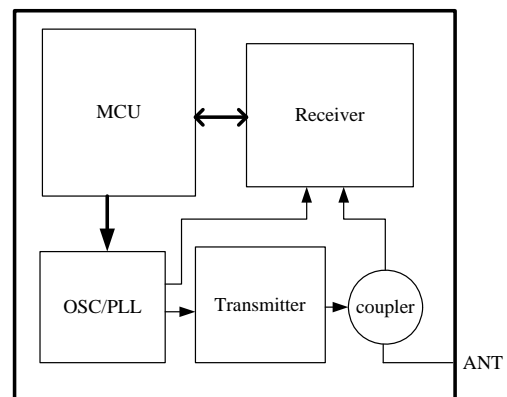
APPLICATIONS

- Handheld devices
- Tag-writers
- Desk-top Interrogators

PRODUCT INTRODUCTION

RLM100 UHF RFID Reader Module is the core component of Mini UHF RFID Interrogator. It integrates PLL, transmission circuit, coupler, and MCU, etc... With Module built-in power management and 3.3V~6.5V voltage range, it simplifies the redevelopment of user to the fullest extent. You can conveniently control it by using API function library.

FUNCTIONAL BLOCK DIAGRAM





RLM100
UHF RFID Module

ORDERING INFORMATION

MODEL	PACKAGE TYPE
RLM100	UM100

Ray-Links (Beijing) Technologies Co., Ltd.

Tel: (+86)010-84672430 Fax : (+86)010-84672430-602

R.317, Zhongguancun Chuangye Tower, No. 26 Shangdi Information Road, Haidian District, Beijing 100085, P.R.C.



RLM100
UHF RFID Module

PRODUCT SPECIFICATION

TA = 25°C

	Conditions	Min	Typ	Max	Unit
FREQUENCY					
Frequency Range	According Customization	840	915	930	MHz
Frequency Step	According Customization		250		KHz
OUTPUT					
Output Power		5~20	Step=3dB		dBm
TEMPERATURE RANGE					
Storage Temperature		-40		+85	°C
Working Temperature	Output Power = 20dBm	-20		+70	°C
POWER SUPPLY					
Supply Voltage	Pout=20dBm, 50 Ω Load	3.3	4.0	6.5	V
Supply Current	Operating Temperature 25°C		200		mA

ABSOLUTE MAXIMUM RATINGS

Parameter	Rating
Supply Voltage	+6.5V
Output Load VSWR	10:1
Operating Temperature	-20 ~ +70°C
Storage Temperature	-40 ~ +85°C

Ray-Links (Beijing) Technologies Co., Ltd.

Tel:(+86)010-84672430 Fax :(+86)010-84672430-602

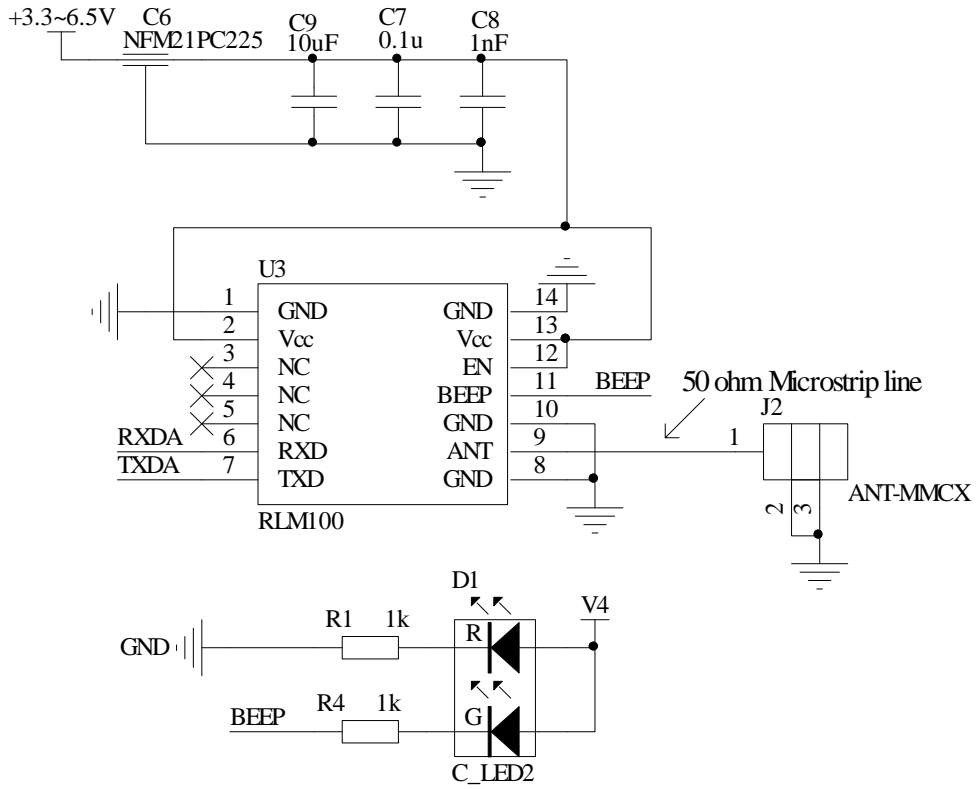
R.317, Zhongguancun Chuangye Tower, No. 26 Shangdi Information Road, Haidian District, Beijing 100085, P.R.C.

PIN CONFIGURATION AND FUNCTION DESCRIPTIONS

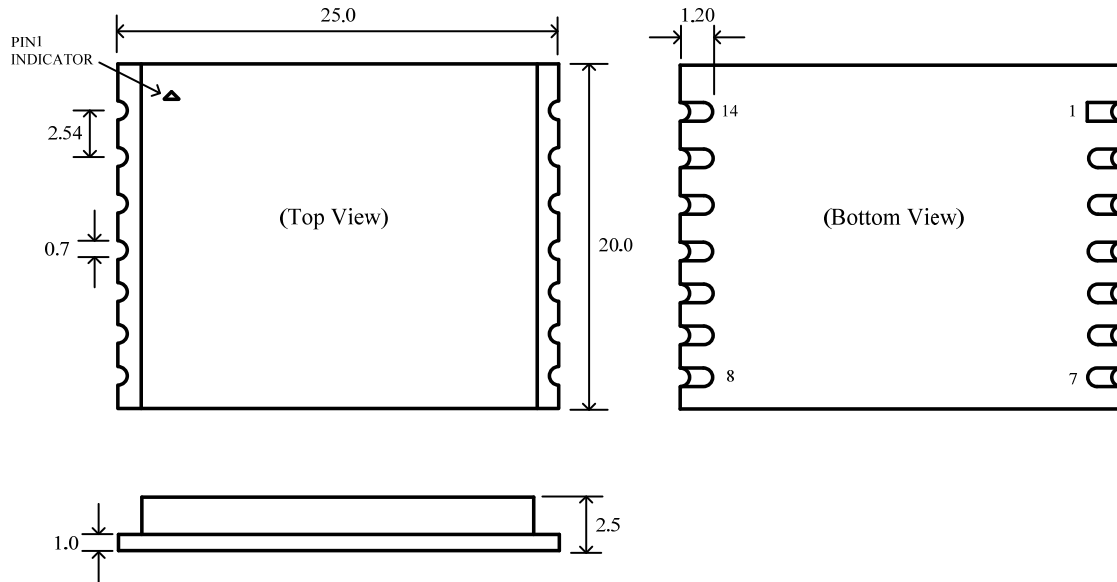


Name	Description
VCC	VCC, +3.3~6.5V, Power supply
GND	Device Ground
RXD	UART Receive Data, 3.3VCMOS, TTL compatibility
TXD	UART Transmit Data, 3.3VCMOS, TTL compatibility
ANT	Antenna pin, Internally Matched To 50ohm
EN	Power down control, '1' Normal operation; '0' Power down mode
NC	Unused Pin
BEEP	Indicator Signal for Reading Tag, Low after acquired a tag

APPLICATION SCHEMATIC



OUTLINE DIMENSIONS



(SMD_UM100)

Dimensions shown in millimeters